

SR2

Manuale istruzioni

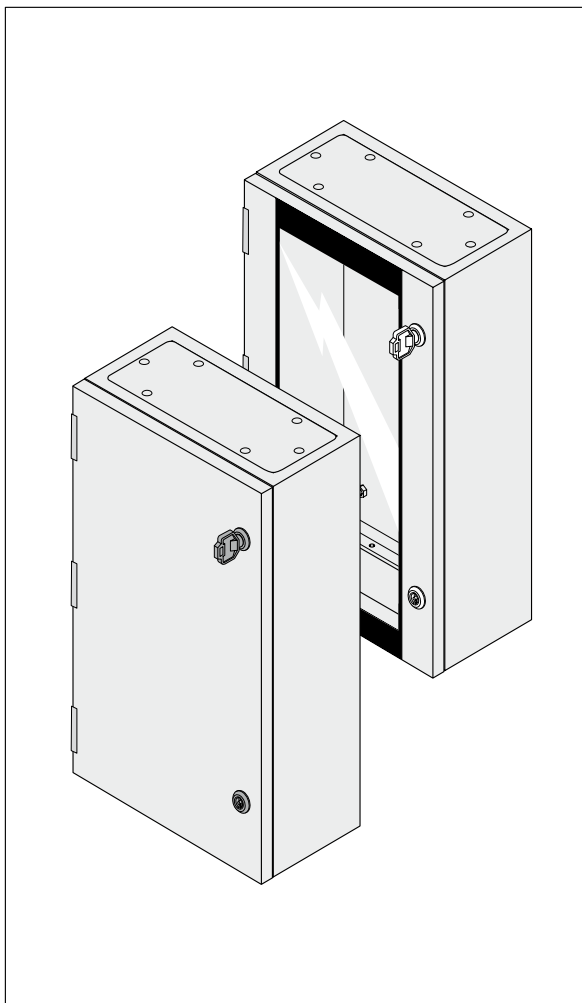
Instruction handbook

Anwender-Handbuch

Instructions de montage

Manuale de instrucciones

Instruções de montagem



Power and productivity
for a better world™



Note

Se correttamente scelti e assemblati, come da indicazioni presenti sul catalogo e sul manuale istruzioni, consentono la realizzazione di quadri elettrici rispondenti alla Norma IEC 61439-1-2/IEC 62208 in base a quanto previsto dalla Direttiva Bassa Tensione della Comunità Europea 2006/95/CE di Bassa Tensione (che sostituisce la 73/23/CEE e successivi emendamenti).

ABB si riserva il diritto di effettuare qualsiasi cambiamento necessario, in qualsiasi momento e senza alcun preavviso.

Non può essere accettata alcuna responsabilità per eventuali imprecisioni od omissioni contenute in questa pubblicazione, nonostante sia stata prestata la massima cura per renderla più completa ed accurata possibile.

È proibita la riproduzione, la memorizzazione e la trasmissione anche parziale di questa pubblicazione.

Notes

If they are correctly chosen and assembled - as per the catalogue and handbook instructions - the parts allow you to make up electrical switchboards conforming to IEC 61439-1-2/IEC 62208, in accordance to the EEC directive for low tension 2006/95/CE (previous directive 73/23/EEC).

ABB reserves the right make any modifications without prior advice.

We are not liable for possible omissions or imprecision of this issue, despite all efforts to make it the most complete and accurate as possible.

Reproductions, storage and transmission (even if only partial) of this release is prohibited.

Anmerkungen

Wenn die Schaltschränke unter Beachtung der Angaben im Katalog und im Anwender-Handbuch richtig ausgewählt und zusammengebaut werden, ist ihre Realisierung nach Norm IEC 61439-1-2/IEC 62208 möglich, entsprechend der Unterspannungs-Richtlinie EG 2006/95/CE (vorhergehend Richtlinie 73/23/CEE). ABB behält sich das Recht vor jederzeit und ohne vorherige Mitteilung alle erforderlichen Änderungen vorzunehmen.

Es kann keinerlei Verantwortung für eventuelle Ungenauigkeiten oder Unterlassungen in dieser Veröffentlichung übernommen werden, wenngleich große Sorgfalt darauf verwendet wurde, sie so vollständig und sorgfältig wie möglich zu gestalten.

Die Reproduktion, die Speicherung und die auch nur teilweise Weiterleitung dieser Veröffentlichung ist verboten.

Informations

Le respect des règles de montage permet la réalisation de tableaux électriques conformes à la norme IEC 61439-1-2/IEC 62208 et à la Directive Européenne basse tension 2006/95/CE (précédent Directive 73/23/CEE).

ABB se réserve le droit d'effectuer toute variation nécessaire, sans préavis, et décline toute responsabilité pour les éventuelles imprécision ou omission contenues dans le catalogue, même si tous les soins ont été apportés afin de le rendre complet et exhaustif.

Il est interdit de reproduire, mémoriser ou transmettre même partiellement ce catalogue.

Notas

Si se seleccionan y montan correctamente siguiendo las indicaciones presentes en el catálogo y en el manual de instrucciones, permiten realizar cuadros eléctricos conformes con la Norma IEC 61439-1-2/IEC 62208 según lo previsto por la Norma sobre la Baja tensión de la Comunidad Europea 2006/95/CE (anterior Norma 73/23/CEE).

ABB se reserva el derecho de efectuar las modificaciones necesarias en cualquier momento y sin aviso previo.

La empresa no se asume ninguna responsabilidad por eventuales imprecisiones u omisiones presentes en esta publicación ya que la misma ha sido redactada con suma atención para presentar instrucciones lo más posible completas y cuidadas.

Está prohibido reproducir, almacenar y transmitir, aunque sea parcialmente, esta publicación.

Observações

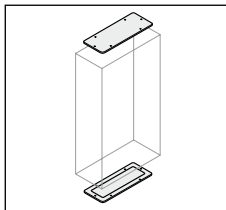
Respeitando as regras de escolha e instruções de montagem de todos os componentes presentes nos catálogos e no manual de instruções, permite a realização de quadros eléctricos em conformidade com a Norma IEC 61439-1-2/IEC 62208, de acordo com o previsto na Directiva de Baixa Tensão da Comunidade Europeia 2006/95/CE (precedente Directiva 73/23/CEE).

A ABB reserva-se o direito de fazer alterações necessárias, em qualquer momento, sem aviso prévio.

A ABB não assume qualquer responsabilidade por eventuais imprecisões ou omissões contidas nesta publicação, apesar desta ter sido elaborada com a maior cuidado, para a tornar o mais completa e exacta possível.

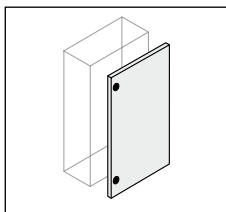
É proibida a reprodução, memorização e transmissão, mesmo que parcial, desta publicação, sem autorização prévia da ABB.

Sommario
Summary
Übersicht
Sommaire
Índice
Índice



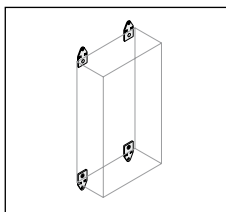
SRN3215K-SRN3315K-SRN3415K-SRN4315K-SRN4320K-SRN4420K-SRN4620K-SRN5320K
 SRN5420K-SRN5425K-SRN6420K-SRN6425K-SRN6625K-SRN7520K-SRN7525K-SRN8625K
 SRN8630K-SRN8830K-SRN10625K-SRN10630K-SRN10830K-SRN12630K-SRN12830K
 SRN5420VK-SRN5425VK-SRN6420VK-SRN6425VK-SRN7520VK-SRN7525VK-SRN8625VK
 SRN8630VK-SRN10625VK-SRN10630VK-SRN10830VK-SRN12630VK-SRN12830VK-SR4620EMCK
 SR6625EMCK-SR10830EMCK

6



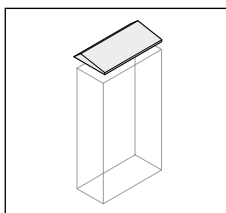
AA8001-AA8002-AA8003-AA5190-AA5200-EV1008-EV1036-EV1037-EV1039

7



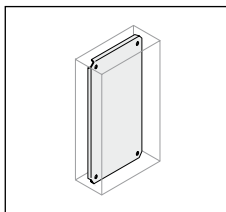
AA1206

8



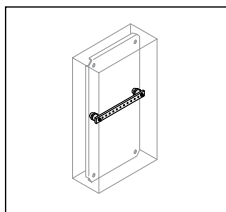
TT2015K-TT3015K-TT4015K-TT3020K-TT4020K-TT5020K-TT6020K-TT4025K-TT5025K-TT6025K-
 TT6030K-TT8030K

9



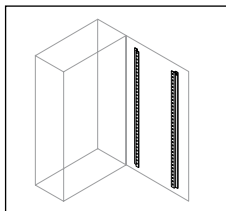
PF3020-PF3030-PF3040-PF4030-PF4040-PF4060-PF5030-PF5040-PF6040-PF6060-PF7050-PF8060-
 PF8080-PF1060-PF1080-PF1260-PF1280-TQ3020-TQ3030-TQ3040-TQ4030-TQ4040-TQ4060-
 TQ5030-TQ5040-TQ6040-TQ6060-TQ7050-TQ8060-TQ8080-TQ1060-TQ1080-TQ1260-TQ1280-
 AA8025-AA8050

10



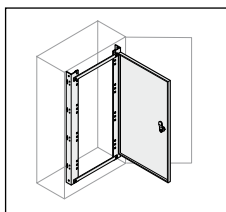
AA8010-AA8011

11



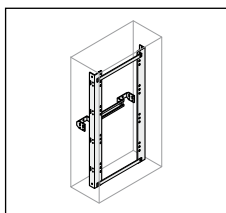
TS6009-TS7009-TS8009

12



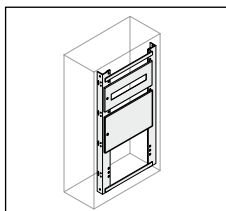
KC5040K-KC6040K-KC7050K-KC8060K-KC1060K-KC1080K-KC1260K-KC1280K

13



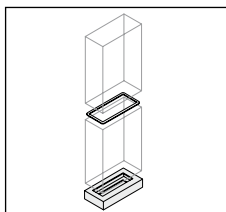
KD5040K-KD6040K-KD8060K-KD1060K-KD1080K-KD1260K-KD1280K-GD4006-GD6006-GD8006-AP6001

14



PM1414K-PM1625K-PM1836K-PS2476K-PS2676K-PS2876K-PC1406K-PC1606K-PC1806K-PC2606K-PC2806K

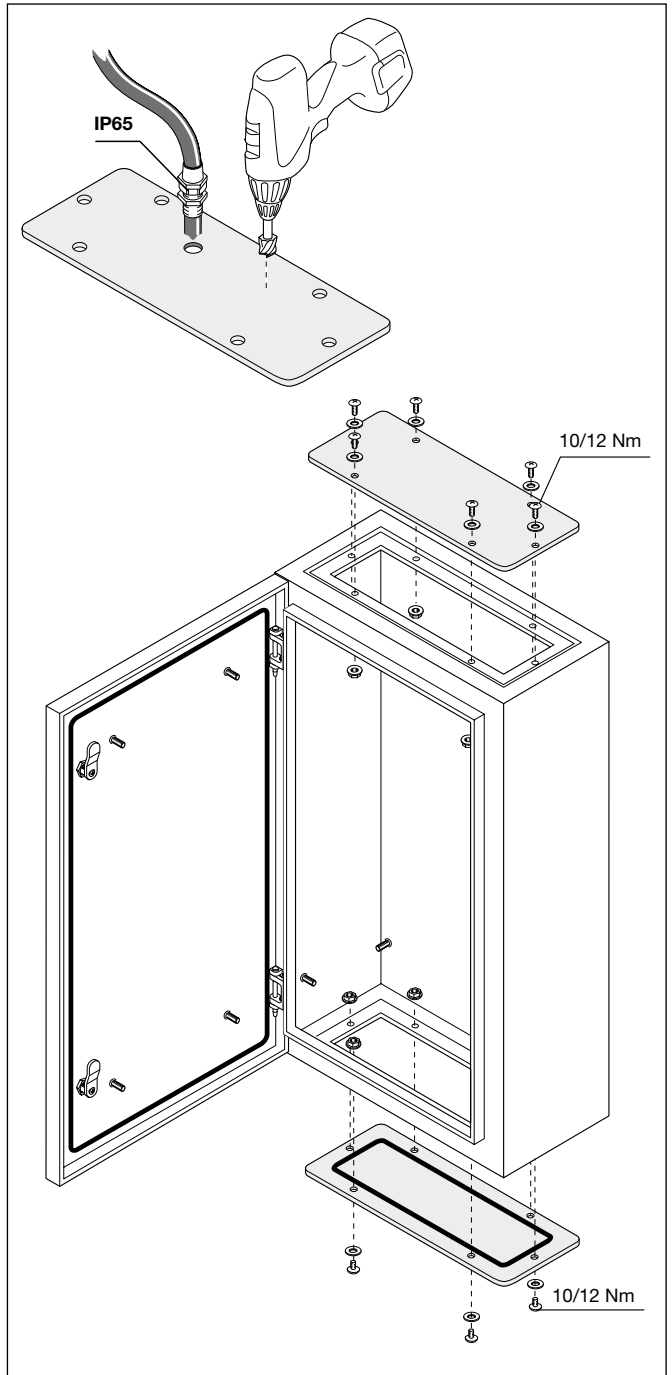
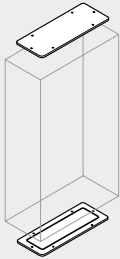
15



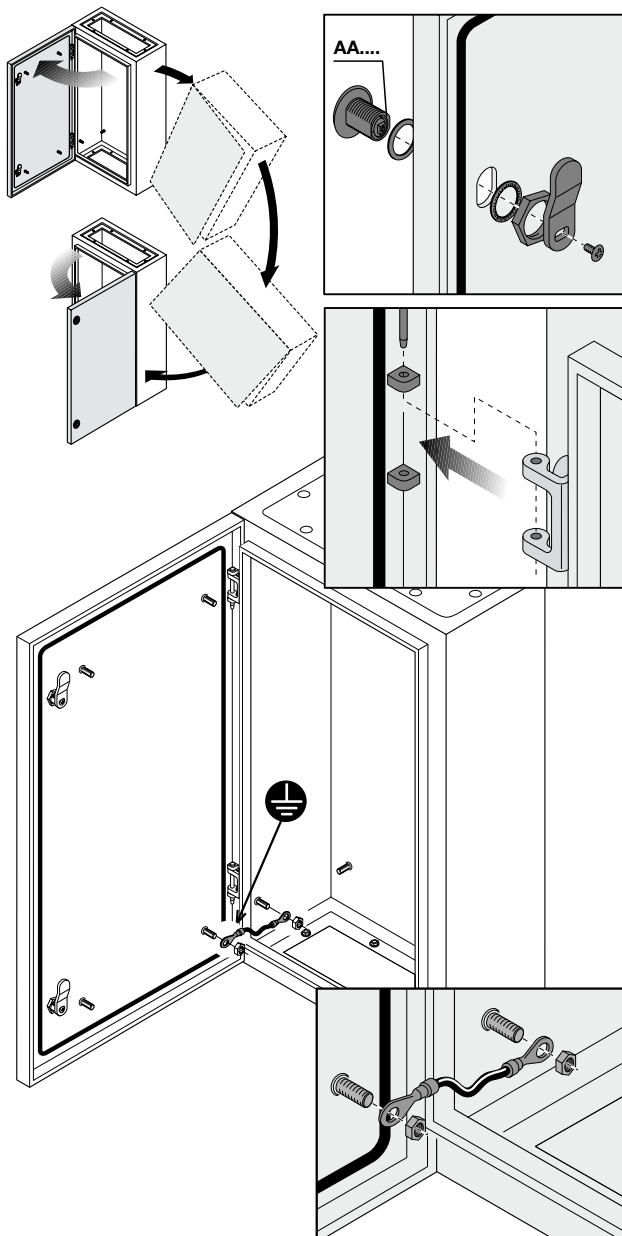
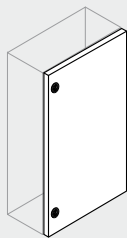
GZ4020-GZ4025-GZ6025-GZ6030-GZ8030-ZA4020-ZA4025-ZA6025-ZA6030-ZA8030

16

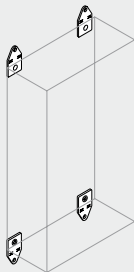
SRN3215K-SRN3315K-SRN3415K
 SRN4315K-SRN4320K-SRN4420K
 SRN4620K-SRN5320K-SRN5420K
 SRN5425K-SRN6420K-SRN6425K
 SRN6625K-SRN7520K-SRN7525K
 SRN8625K-SRN8630K-SRN8830K
 SRN10625K-SRN10630K-SRN10830K
 SRN12630K-SRN12830K-SRN5420VK
 SRN5425VK-SRN6420VK-SRN6425VK
 SRN7520VK-SRN7525VK-SRN8625VK
 SRN8630VK-SRN10625VK-SRN10630VK
 SRN10830VK-SRN12630VK
 SRN12830VK-SR4620EMCK
 SR6625EMCK-SR10830EMCK



AA8001-AA8002-AA8003-AA5200
AA5190-AA5200-EV1008-EV1036
EV1008-EV1037-EV1008-EV1039



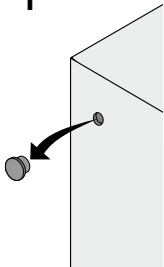
AA1206



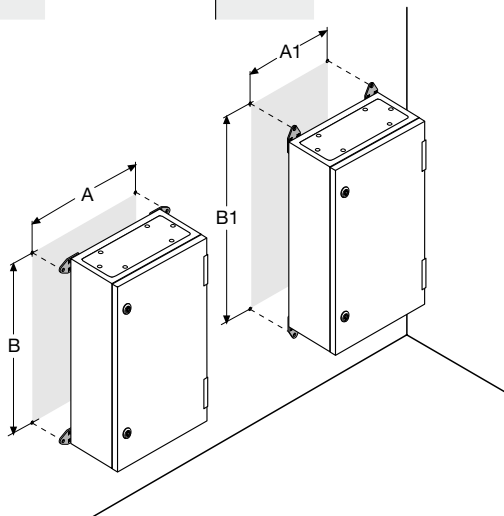
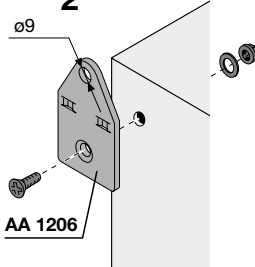
4xM6



1

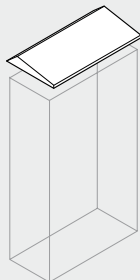


2

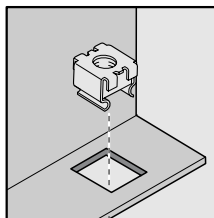
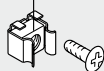


	A	B	A1	B1
SRN3215K	237	263	163	337
SRN3315K	337	263	263	337
SRN3415K	437	263	363	337
SRN4315K	337	363	263	437
SRN4320K	337	363	263	437
SRN4420K	437	363	363	437
SRN4620K	SR4620EMCK	637	363	563
SRN5320K		337	463	263
SRN5420K	SRN5420VK	437	463	363
SRN5425K	SRN5425VK	437	463	363
SRN6420K	SRN6420VK	437	563	363
SRN6425K	SRN6425VK	437	563	363
SRN6625K	SR6625EMCK	637	563	563
SRN7520K	SRN7520VK	537	663	463
SRN7525K	SRN7525VK	537	663	463
SRN8625K	SRN8625VK	637	763	563
SRN8630K	SRN8630VK	637	763	563
SRN8830K		837	763	763
SRN10625K	SRN10625VK	637	963	563
SRN10630K	SRN10630VK	637	963	563
SRN10830K	SRN10830VK	SR10830EMCK	837	963
SRN12630K	SRN12630VK	637	1163	563
SRN12830K	SRN12830VK	837	1163	763

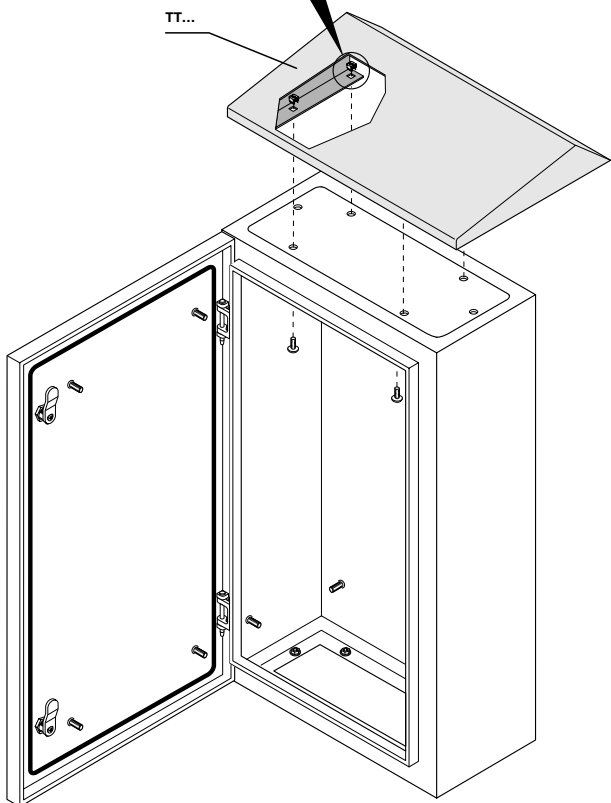
TT2015K-TT3015K-TT4015K-TT3020K
TT4020K-TT5020K-TT6020K-TT4025K
TT5025K-TT6025K-TT6030K-TT8030K

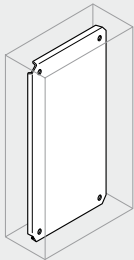


4xM6



TT...





PF3020-PF3030-PF3040-PF4030-PF4040
 PF4060-PF5030-PF5040-PF6040-PF6060
 PF7050-PF8060-PF8080-TQ3020-TQ3030
 TQ3040-TQ4030-TQ4040-TQ4060-TQ5030
 TQ5040-TQ6040-TQ6060-TQ7050-TQ8060
 TQ8080

4xM6

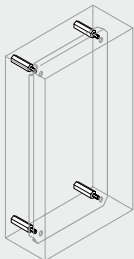


PF1060-PF1080-PF1260-PF1280
 TQ1060-TQ1080-TQ1260-TQ1280

8xM6



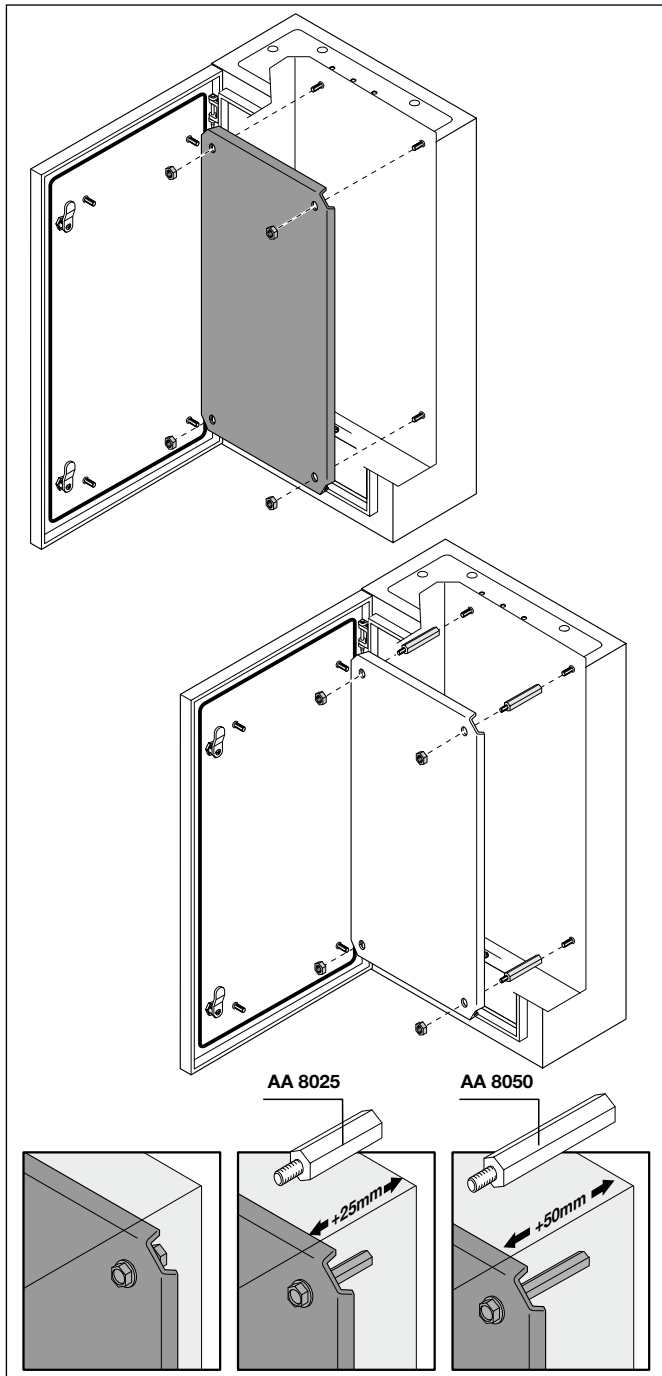
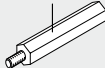
AA8025-AA8050



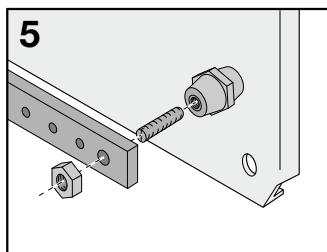
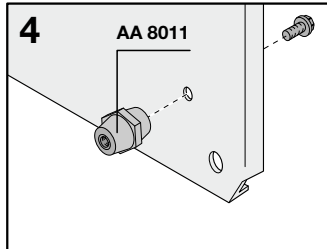
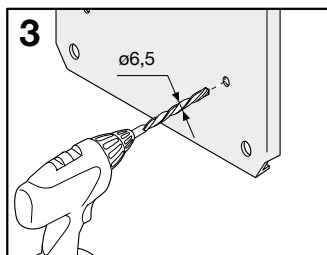
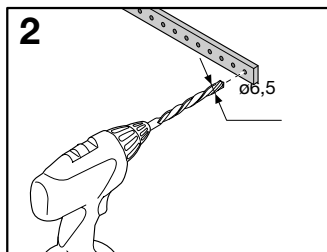
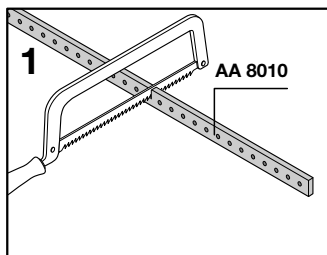
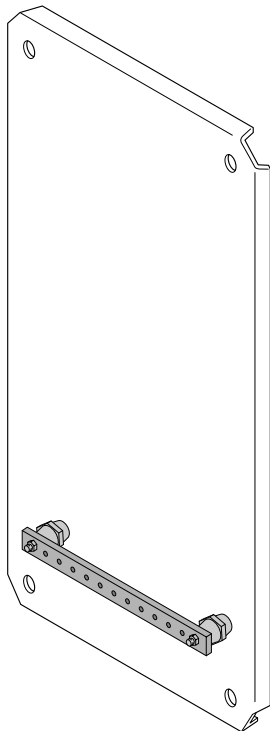
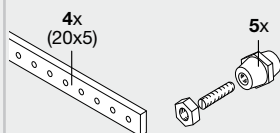
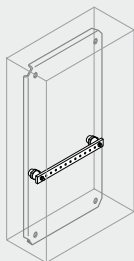
12x



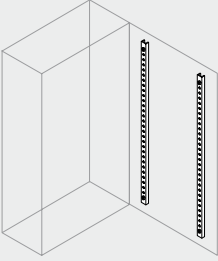
12x



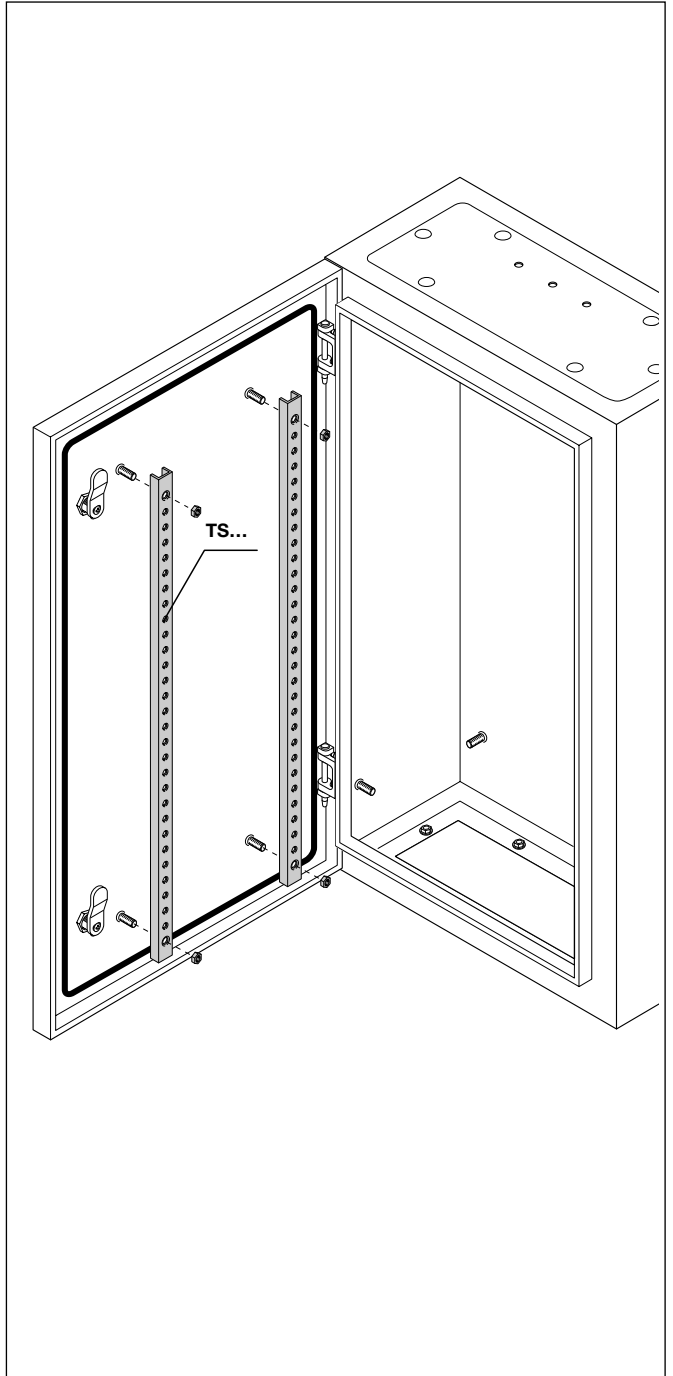
AA8010-AA8011

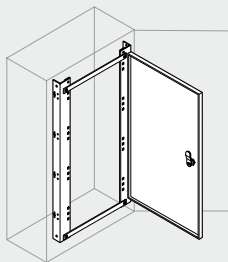


TS6009-TS7009-TS8009

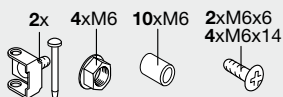


4xM6

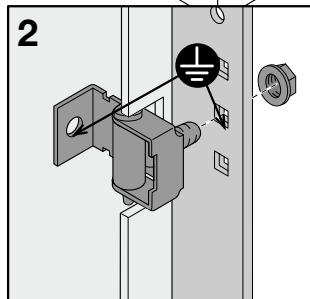
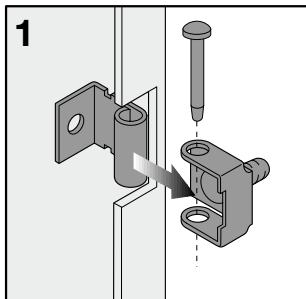
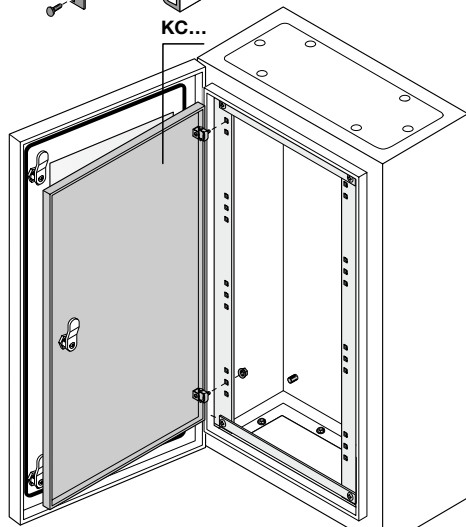
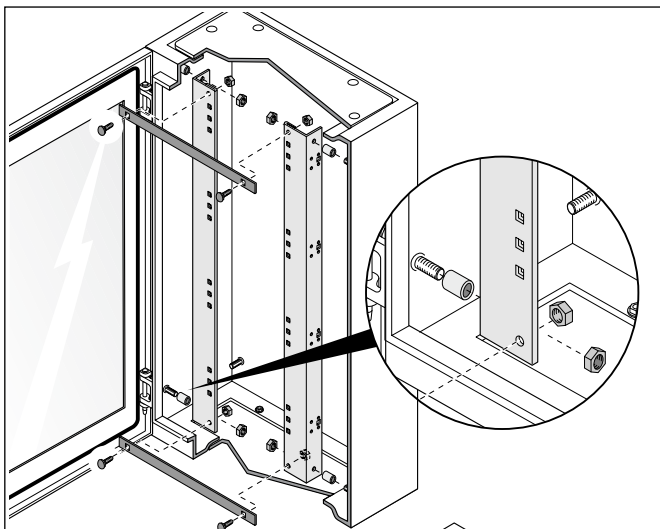
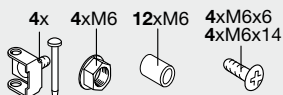


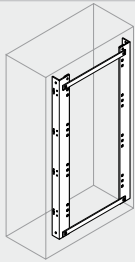


KC5040K-KC6040K-KC7050K-KC8060K



KC1060K-KC1080K-KC1260K-KC1280K





KD5040K-KD6040K-KD8060K

4xM6

8xM6

4xM6x10
4xM6x14



KD1060K-KD1080K-KD1260K-KD1280K

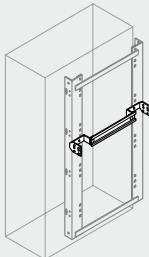
8xM6

12xM6

6xM6x10
4xM6x14

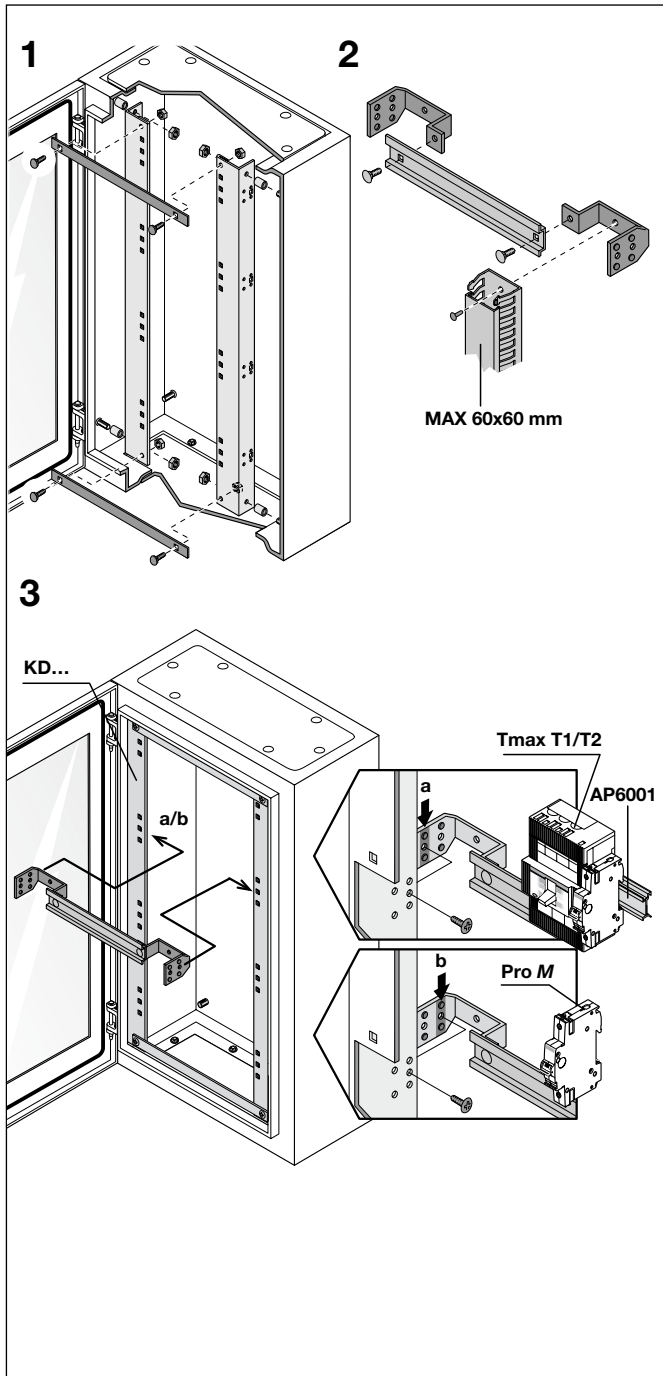


GD4006-GD6006-GD8006-AP6001

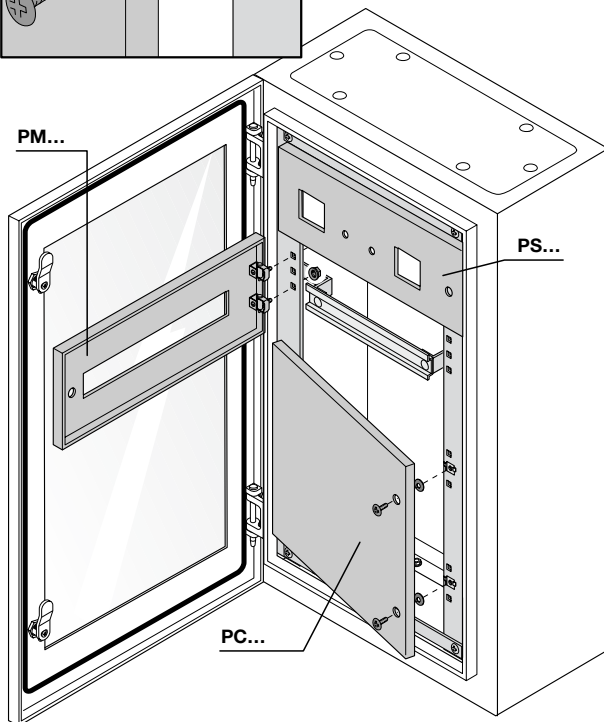
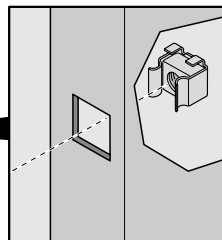
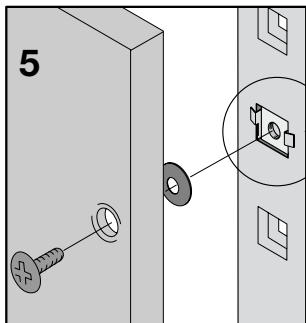
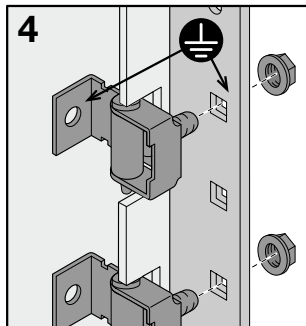
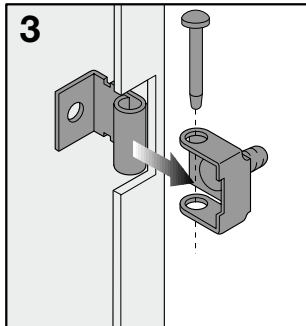
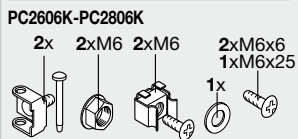
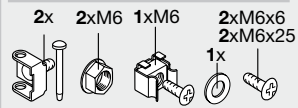
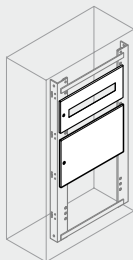


4xM6

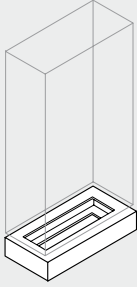
2xM6x10
2xM6x25



PM1414K-PM1625K-PM1836K-PS2476K
 PS2676K-PS2876K-PC1406K-PC1606K
 PC1806K



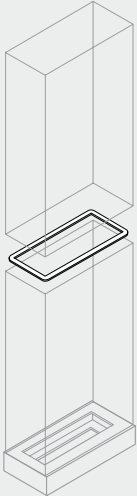
ZA4020-ZA4025-ZA6025-ZA6030
ZA8030



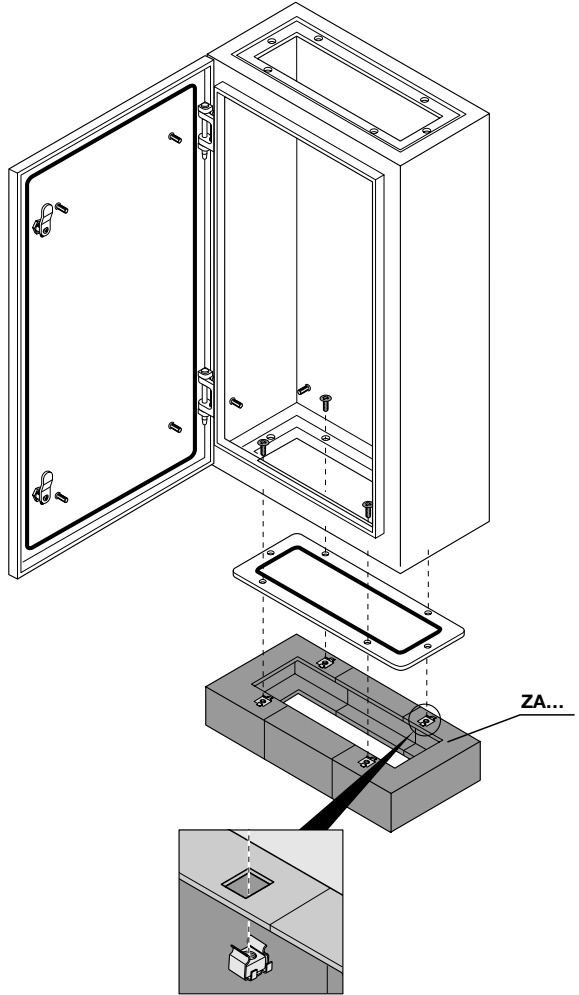
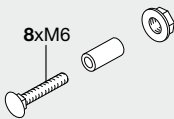
8xM6

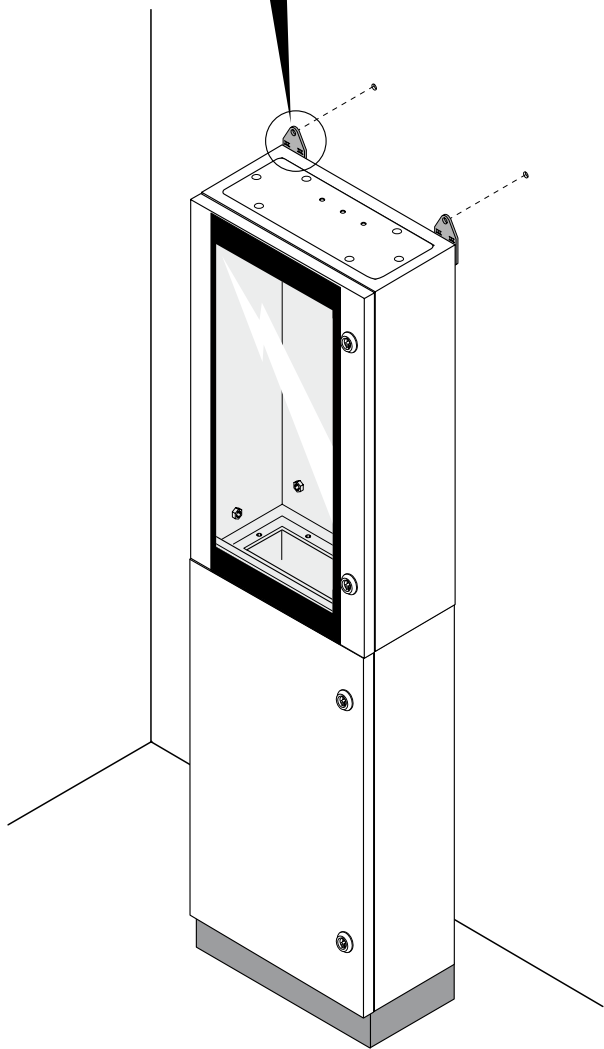
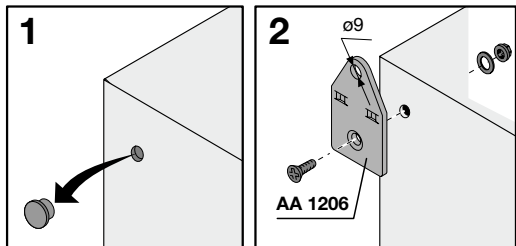
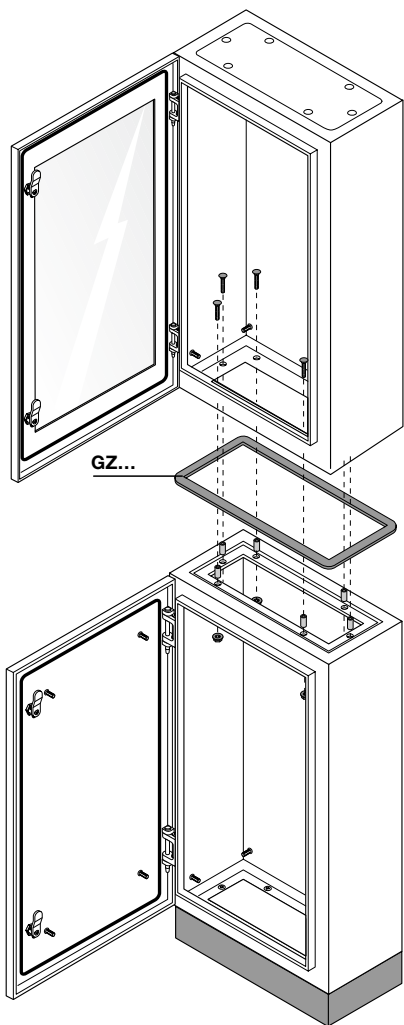


GZ4020-GZ4025-GZ6025-GZ6030-
GZ8030



8xM6





CODE	PAG.	CODE	PAG.	CODE	PAG.
AA1206	8	PF4040	10	SRN8630K	6
AA5190	7	PF4060	10	SRN8630VK	6
AA5200	7	PF5030	10	SRN8830K	6
AA8001	7	PF5040	10	TQ1060	10
AA8002	7	PF6040	10	TQ1080	10
AA8003	7	PF6060	10	TQ1260	10
AA8010	11	PF7050	10	TQ1280	10
AA8011	11	PF8060	10	TQ3020	10
AA8025	10	PF8080	10	TQ3030	10
AA8050	10	PM1414K	15	TQ3040	10
AP6001	14	PM1625K	15	TQ4030	10
EV1008	7	PM1836K	15	TQ4040	10
EV1036	7	PS2476K	15	TQ4060	10
EV1037	7	PS2676K	15	TQ5030	10
EV1039	7	PS2876K	15	TQ5040	10
GD4006	14	SR10830EMCK	6	TQ6040	10
GD6006	14	SR4620EMCK	6	TQ6060	10
GD8006	14	SR6625EMCK	6	TQ7050	10
GZ4020	16	SRN10625K	6	TQ8060	10
GZ4025	16	SRN10625VK	6	TQ8080	10
GZ6025	16	SRN10630K	6	TS6009	12
GZ6030	16	SRN10630VK	6	TS7009	12
GZ8030	16	SRN10830K	6	TS8009	12
KC1060K	13	SRN10830VK	6	TT2015K	9
KC1080K	13	SRN12630K	6	TT3015K	9
KC1260K	13	SRN12630VK	6	TT3020K	9
KC1280K	13	SRN12830K	6	TT4015K	9
KC5040K	13	SRN12830VK	6	TT4020K	9
KC6040K	13	SRN3215K	6	TT4025K	9
KC7050K	13	SRN3315K	6	TT5020K	9
KC8060K	13	SRN3415K	6	TT5025K	9
KD1060K	14	SRN4315K	6	TT6020K	9
KD1080K	14	SRN4320K	6	TT6025K	9
KD1260K	14	SRN4420K	6	TT6030K	9
KD1280K	14	SRN4620K	6	TT8030K	9
KD5040K	14	SRN5320K	6	ZA4020	16
KD6040K	14	SRN5420K	6	ZA4025	16
KD8060K	14	SRN5420VK	6	ZA6025	16
PC1406K	15	SRN5425K	6	ZA6030	16
PC1606K	15	SRN5425VK	6		
PC1806K	15	SRN6420K	6		
PC2606K	15	SRN6420VK	6		
PC2806K	15	SRN6425K	6		
PF1060	10	SRN6425VK	6		
PF1080	10	SRN6625K	6		
PF1260	10	SRN7520K	6		
PF1280	10	SRN7520VK	6		
PF3020	10	SRN7525K	6		
PF3030	10	SRN7525VK	6		
PF3040	10	SRN8625K	6		
PF4030	10	SRN8625VK	6		



Teléfono: 776-1856 / 652-1016 / 652-1015
Celular: 968229055
RPM: *0333946
Entel: 998327999
E-mail: ventas@storetech.pe / s.tecnico@storetech.pe



www.storetech.pe